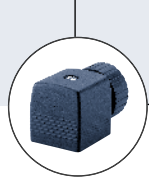


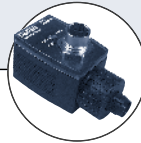
Type 6013 can be combined with...



Type 2508
Cable plug








Type 1078
Timer unit



Type 2511
ASI cable plug



Type 8600
Dosage control

- Direct-acting, normally closed
- High cycling rate
- Special versions up to +356°F (+180°C)
- Threaded port and sub-base connections
- Compact design
- Approvals:     

Depending on the model, the direct-acting Type 6013 valve can be flexibly used, either individually or as a valve block, for the shut-off, dosing, filling of various media at temperatures up to 356°F (+180°C). It is also suitable for a technical vacuum.

Power consumption

| Coil width DN [mm] | Inrush | | Hold | | Coil power [W] |
|--------------------------|------------|--------------|--------------|-----------|-------------------|
| | AC [VA] | DC [VA/W] | AC [VA/W] | DC [W] | |
| 32 | 24 | 17/8 | 8 | 8 | |
| 40 | 30 | 22/10 | 10 | 10 | |

Manifold mounting

With manifold mounting, please comply with the permissible duty cycle (5 W model with 100% duty cycle or the 8 W model with 60% duty cycle, 30 min).

Attention!

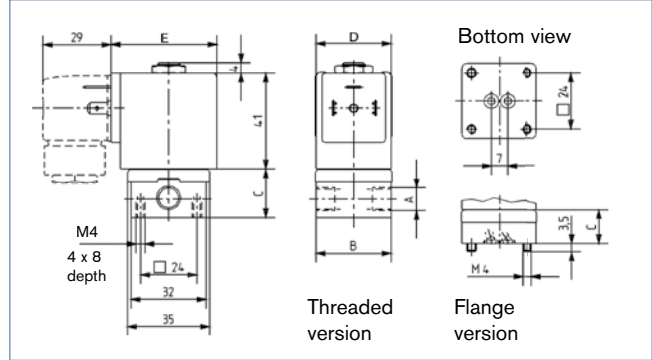
Close open connections for flange valves that are not mounted with covering plates (see Accessories). Secure the manifolds to a supporting plate.

Technical data

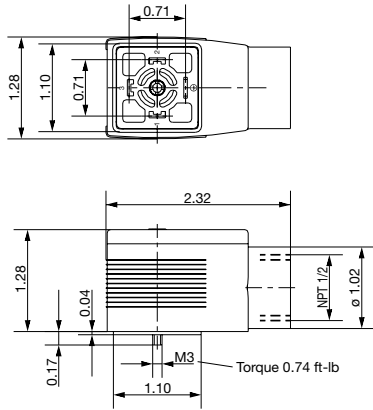
| | |
|------------------------------|---|
| Orifice | 5/64" - 1/4" (DN 2.0–6.0 mm) |
| Body materials | Brass Stainless steel |
| Seal material | FKM, PTFE/graphite (EPDM on request) |
| Media | Neutral gases and fluids |
| Media temperature | FKM 14°F to 212°F (-10°C to +100°C) PTFE/Graphite Up to 356°F (+180°C) |
| Ambient temperature | Max. 131°F (+55°C) |
| Voltage tolerance | ±10% |
| Duty cycle | 100% continuous rating 60% Intermittent operation every 30 minutes with 8 W coil 100% continuous rating with 5 W coil |
| Electrical connection | Tag connector acc. to DIN 43650 Form A for Type 2508 cable plugs (see Accessories) |
| Protection class | IP 65 with cable plug |
| Installation | As required, preferably with actuator upright |

Solenoid valve dimensions

| Dimensions [mm] | | | | | | |
|-----------------|---------|----|------|---------|---------|----------------|
| Port connection | Body | | | Coil | | Coil power [W] |
| | A | B | C | Width D | Depth E | |
| NPT 1/8 | NPT 1/8 | 32 | 20.8 | 32 | 45 | 8 |
| NPT 1/4 | NPT 1/4 | 46 | 26.8 | 32 | 45 | 8 |
| NPT 3/8 | NPT 3/8 | 50 | 39.8 | 40 | 51 | 10 |
| Flange | - | 32 | 14.3 | 32 | 45 | 8 |



Type 2509 dimension [mm]



DTS 1000086402 EN Version: - Status: RL (released | freigegeben | valide) printed: 10.08.2006

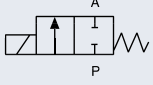
Ordering chart for valves (other versions on request)
General purpose valves with Brass body and FKM seals

| Circuit function | Orifice [mm] | Port connections [NPT] | Cv value [GPM] | Wattage | Pressure range [PSI] | Voltage/frequency [V/Hz] | Item no. UL listed | Item no. UL recognized |
|-------------------------------|--------------|------------------------|----------------|---------|----------------------|--------------------------|--------------------|------------------------|
| A 2/2-way valve NC | 2.0 | NPT 1/8" | 0.14 | 8 | 145 | 024/DC | 456 498 | 456 307 |
| | | | | | 145 | 024/60 | 456 499 | 456 308 |
| | | | | | 145 | 120/60 | 456 500 | 456 309 |
| | | | | | 145 | 240/60 | 456 501 | 456 310 |
| | 2.5 | NPT 1/8" | 0.19 | 8 | 87 | 024/DC | 456 502 | 456 311 |
| | | | | | 87 | 024/60 | 456 503 | 456 312 |
| | | | | | 87 | 120/60 | 456 504 | 456 313 |
| | | | | | 87 | 240/60 | 456 505 | 456 314 |
| | 3.0 | NPT 1/8" | 0.27 | 8 | 87 | 024/DC | 456 506 | 456 315 |
| | | | | | 145 | 024/60 | 456 507 | 456 316 |
| | | | | | 145 | 120/60 | 456 508 | 456 317 |
| | | | | | 145 | 240/60 | 456 509 | 456 318 |
| | 3.0 | NPT 1/4" | 0.27 | 8 | 87 | 024/DC | 456 510 | 456 319 |
| | | | | | 145 | 024/60 | 456 511 | 456 320 |
| | | | | | 145 | 120/60 | 456 512 | 456 321 |
| | | | | | 145 | 240/60 | 456 513 | 456 322 |
| | 4.0 | NPT 1/4" | 0.35 | 8 | 22 | 024/DC | 456 514 | 456 323 |
| | | | | | 58 | 024/60 | 456 515 | 456 324 |
| | | | | | 58 | 120/60 | 456 516 | 456 325 |
| | | | | | 58 | 240/60 | 456 517 | 456 326 |
| 6.0 | NPT 3/8" | 0.64 | 10 | 11 | 024/DC | - | 456 848 | |
| | | | | 36 | 024/60 | - | 456 849 | |
| | | | | 36 | 120/60 | - | 456 850 | |
| | | | | 36 | 240/60 | - | 456 851 | |

Solenoid valve ordering charts

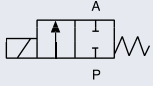
Ordering chart for valves (other versions on request)

General purpose valves with Stainless Steel body and FKM seals

| Circuit function | Orifice [mm] | Port connection [NPT] | Cv value [GPM] | Wattage | Pressure range [psi] | Voltage/frequency [V/Hz] | Item no. UL listed | Item no. UL recognized |
|--|--------------|-----------------------|----------------|---------|----------------------|--------------------------|--------------------|------------------------|
| A 2/2-way valve NC  | 2.0 | NPT 1/8" | 0.14 | 8 | 0 - 145 | 024/DC | 456 518 | 456 327 |
| | | | | | 0 - 145 | 24/60 | 456 519 | 456 328 |
| | | | | | 0 - 145 | 120/60 | 456 520 | 456 329 |
| | | | | | 0 - 145 | 240/60 | 456 521 | 456 330 |
| | 3.0 | NPT 1/8" | 0.27 | 8 | 0 - 87 | 024/DC | 456 522 | 456 331 |
| | | | | | 0 - 145 | 24/60 | 456 523 | 456 332 |
| | | | | | 0 - 145 | 120/60 | 456 524 | 456 333 |
| | | | | | 0 - 145 | 240/60 | 456 525 | 456 334 |
| | 3.0 | NPT 1/4" | 0.27 | 8 | 0 - 87 | 024/DC | 456 526 | 456 335 |
| | | | | | 0 - 145 | 24/60 | 456 527 | 456 336 |
| | | | | | 0 - 145 | 120/60 | 456 528 | 456 337 |
| | | | | | 0 - 145 | 240/60 | 456 529 | 456 338 |
| | 4.0 | NPT 1/4" | 0.35 | 8 | 0 - 22 | 24/DC | 456 530 | 456 494 |
| 0 - 58 | | | | | 24/60 | 456 531 | 456 495 | |
| 0 - 58 | | | | | 120/60 | 456 532 | 456 496 | |
| 0 - 58 | | | | | 240/60 | 456 533 | 456 497 | |

Ordering chart for valves (other versions on request)

Valves for high temperatures (up to 356 degrees), PTFE/Graphite seal, Brass Body, SS Seat

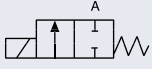
| Circuit function | Orifice [mm] | Port connection [NPT] | Cv value [GPM] | Wattage | Pressure range [PSI] | Voltage/frequency [V/Hz] | Item no. |
|--|--------------|-----------------------|----------------|---------|----------------------|--------------------------|----------|
| A 2/2-way valve NC  | 2.0 | NPT 1/4" | 0.14 | 8 | 0 - 174 | 024/DC | 457 376 |
| | | | | | 0 - 362 | 024/60 | 457 377 |
| | | | | | 0 - 362 | 120/60 | 457 378 |
| | | | | | 0 - 362 | 240/60 | 457 379 |
| | 3.0 | NPT 1/4" | 0.27 | 10 | 0 - 115 | 024/DC | 457 380 |
| | | | | | 0 - 203 | 024/60 | 457 381 |
| | | | | | 0 - 203 | 120/60 | 457 382 |
| | | | | | 0 - 203 | 240/60 | 457 383 |

Coils acc. EEx, UL, CSA etc. Approvals on request.

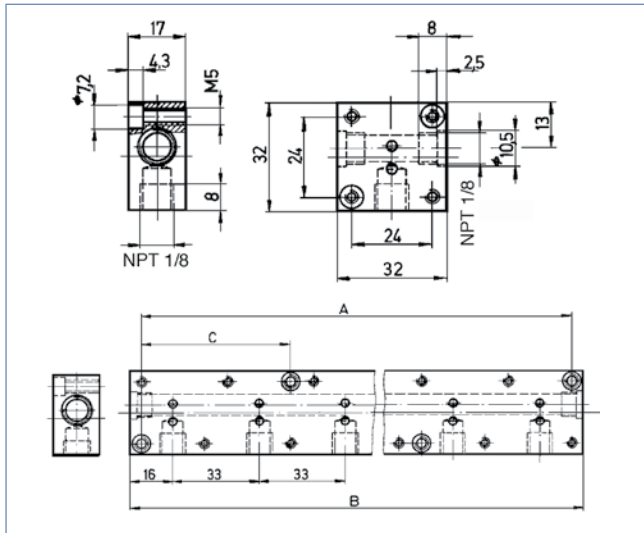
Solenoid valve ordering chart

Ordering chart for valves (other versions on request)

Valves for Flange versions with Brass Body and FKM seals

| Circuit function | Orifice [mm] | Port connection | Cv value [GPM] | Wattage | Pressure range [PSI] | Voltage/frequency [V/Hz] | Item no. UL listed | Item no. UL recognized |
|--|--------------|-----------------|----------------|---------|----------------------|--------------------------|--------------------|------------------------|
| A 2/2-way valve NC  | 2.0 | Flange | 0.14 | 8 | 0 - 174 | 024/DC | 457 326 | 457 310 |
| | | | | | 0 - 362 | 024/60 | 457 327 | 457 311 |
| | | | | | 0 - 362 | 120/60 | 457 328 | 457 312 |
| | | | | | 0 - 362 | 240/60 | 457 329 | 457 313 |
| | 3.0 | Flange | 0.27 | 8 | 0 - 87 | 024/DC | 456 696 | 456 675 |
| | | | | | 0 - 145 | 024/60 | 456 697 | 456 676 |
| | | | | | 0 - 145 | 120/60 | 456 698 | 456 677 |
| | | | | | 0 - 145 | 240/60 | 456 699 | 456 678 |

Coils acc. EEx, UL, CSA etc. Approvals on request.



Manifold mounting

With manifold mounting, please comply with the permissible duty cycle (5 W models with 100% continuous rating or 8 W model with 60% duty cycle). The pressure port for the manifold is designated with P (R), and the outlet port with A (B). Only connect together ports with the same designation.

2/2-way valves of Type 6013 can be operated together on a manifold with 3/2-way valves of Type 6014, circuit function C (not D or TI) if the operating pressures agree according to the rating plates. The manifolds can also be expanded if the valve functions are taken into consideration. Connector nipples with O-rings are used to connect the P (R) ports.

Caution! Unused, open valve ports must be closed off with covering plates (see Accessories).

Ordering chart for accessories

| Accessory part | Features | | | | Item no. |
|-------------------|---|---------------------|---------------------|---------------------|----------|
| Single manifold | from aluminium | | | | 613 827 |
| Multiple manifold | from aluminium | Hole spacing A [mm] | Total length B [mm] | Hole spacing C [mm] | |
| | 2 valves | 57 | 65 | - | 006 104 |
| | 3 valves | 90 | 98 | - | 613 828 |
| | 4 valves | 123 | 131 | - | 006 106 |
| | 5 valves | 156 | 164 | 57 | 613 829 |
| | 6 valves | 189 | 197 | 57 | 613 598 |
| | 8 valves | 255 | 263 | 57 | 613 831 |
| | 10 valves | 321 | 329 | 90 | 613 833 |
| Connector nipple | with O-ring, for connecting manifolds | | | | 005 040 |
| Covering plate | with plugs and O-ring, for closing off unused valve positions | | | | 005 630 |

In case of special application conditions, please consult for advice.

We reserve the right to make technical changes without notice.

0602/2_US-en