

# SETHCO® THERMOPLASTIC CHEMICAL SUMP PUMPS

UD/UV Series for Corrosive Liquids and Chemical Transfer



A Met-Pro Fluid Handling Technologies Business  
Combining the Resources of **Dean Pump**, **Fybroc** & **Sethco**

# SETHCO® THERMOPLASTIC CHEMICAL SUMP PUMPS

## UD/UV SERIES FOR CORROSIVE LIQUIDS AND CHEMICAL TRANSFER

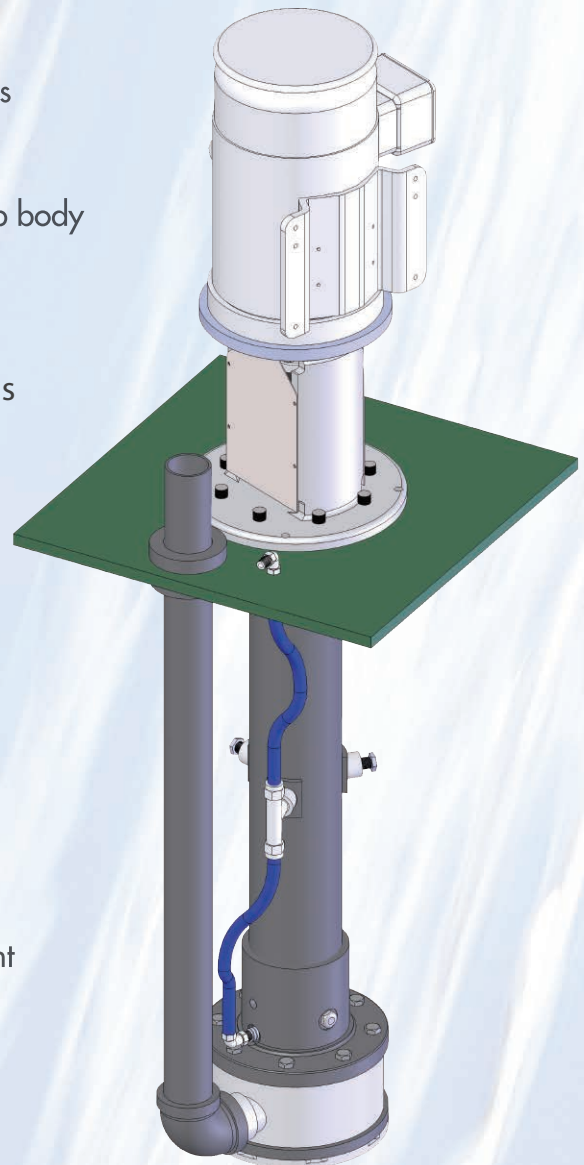
- Capacities to 220 GPM (50 m<sup>3</sup>/hr)
- Heads to 135 ft (41 m)
- Standard lengths up to 10 feet (3 m)
- Motors up to 15 hp (11.2 kW)
- CPVC/PVC materials of construction (up to 140° F/60° C)
- All CPVC construction for higher temp applications (up to 180° F/83° C)
- 316SS, Carp-20, Titanium or Hastelloy-C pump shafts
- Custom built modular pumping stations available

### DESIGN FEATURES

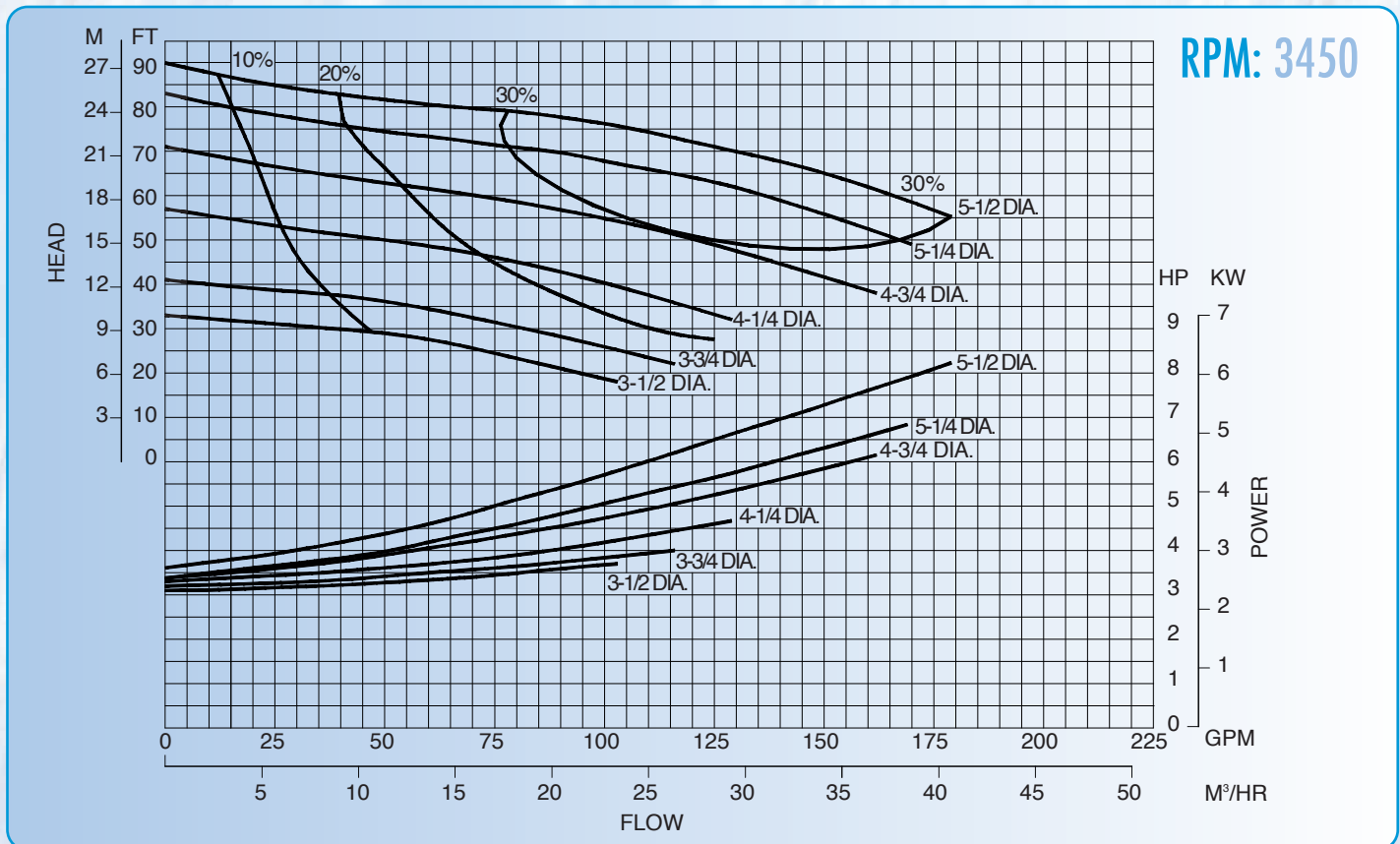
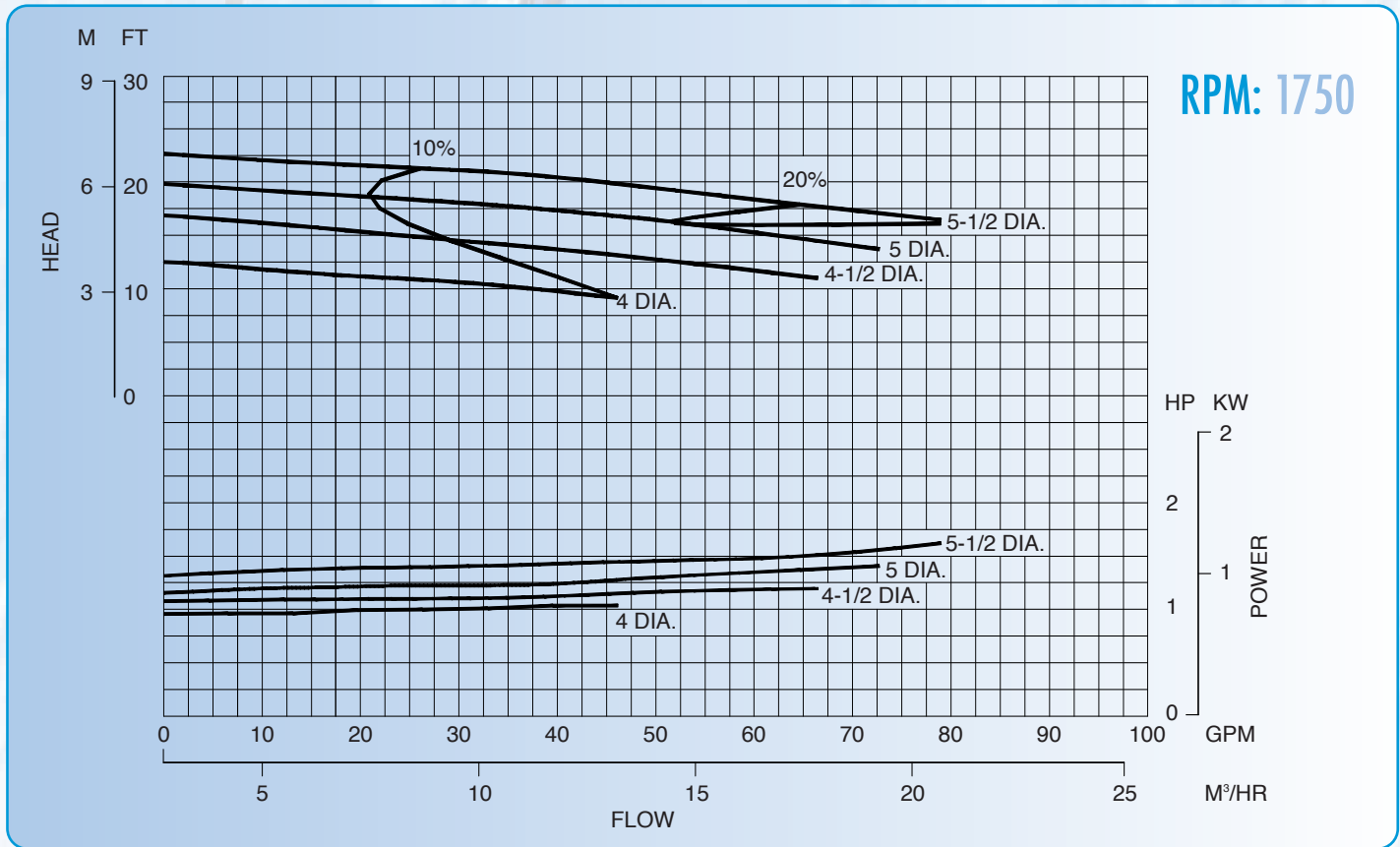
- Internal, external or bypass flush bearing lubrication options
- Non-metallic mounting plate – custom sizes available
- One piece column design adds strength and stability to pump body
- Impeller/casing design permits passage of occasional solid particles and fibrous materials
- Corrosion resistant carbon-filled PTFE line shaft bearings
- Maximum 24" (610 mm) bearing span
- Mounts to standard NEMA or IEC frame motors
- Vapor seal designed to protect motor/pedestal from corrosive vapors
- Bearing pedestal includes an oversized double sealed ball bearing

### APPLICATIONS

- Acids
- Bleaches
- Caustics
- Chemical Transfer
- Scrubber/Odor Control
- Water/Wastewater Treatment
- Aquarium
- Plating Solutions
- Quench Tanks
- Pickling Solutions

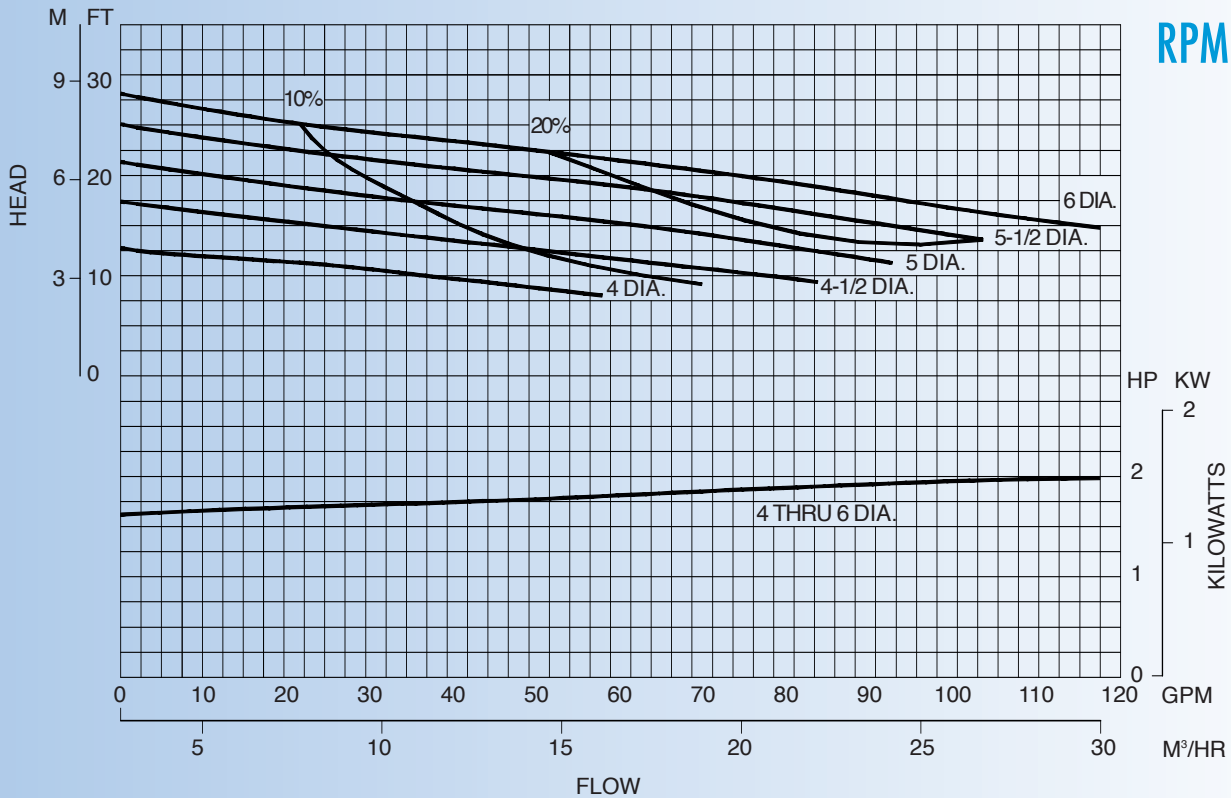


# MODEL UD/UV 60A PERFORMANCE CURVES

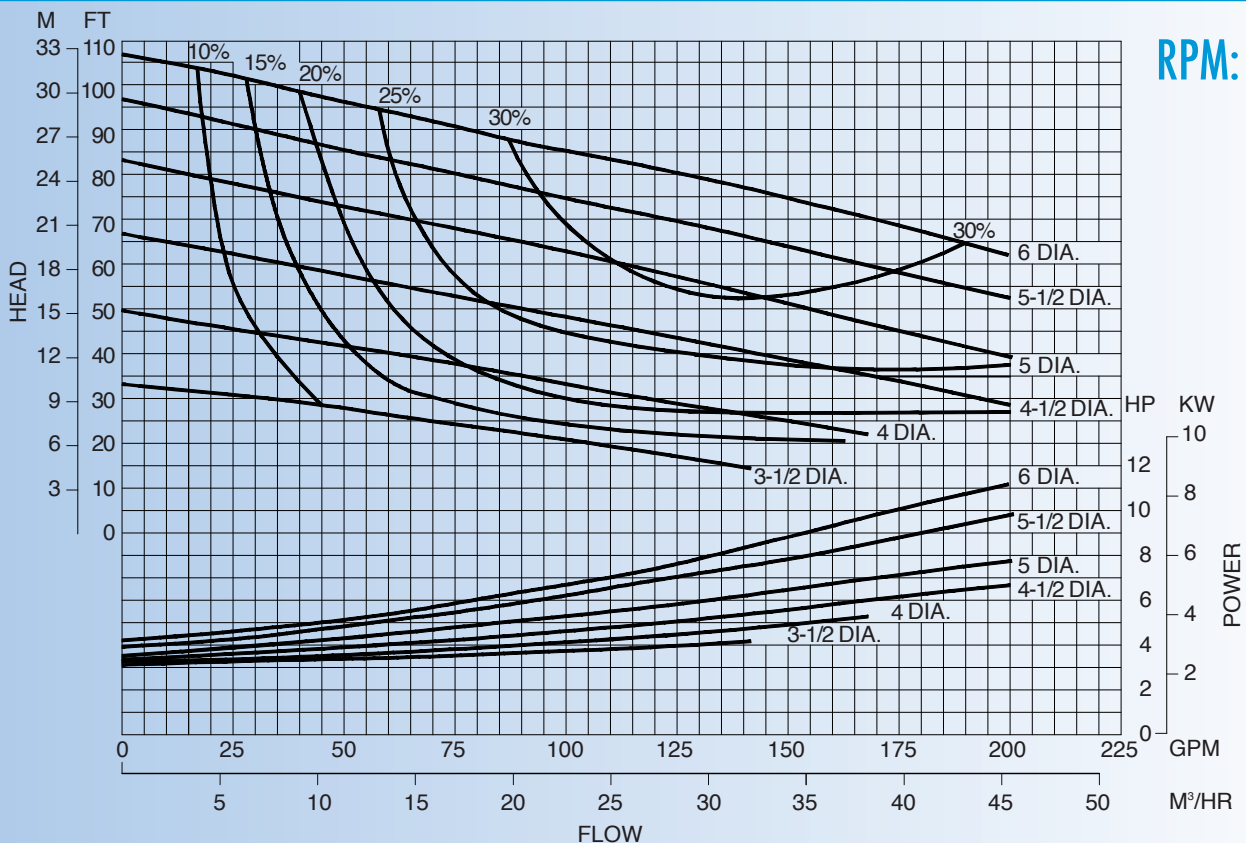


# MODEL UD/UV 80A PERFORMANCE CURVES

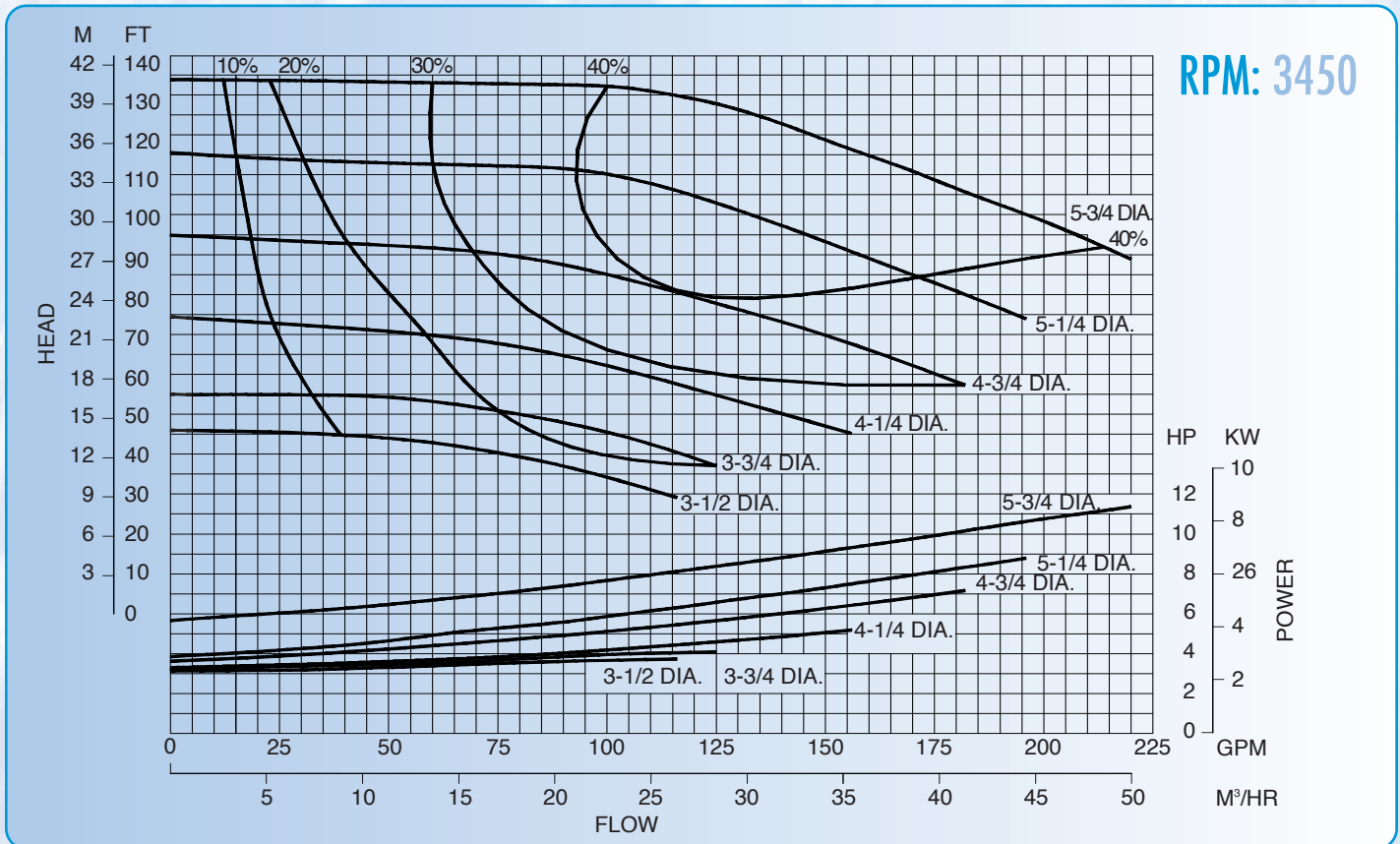
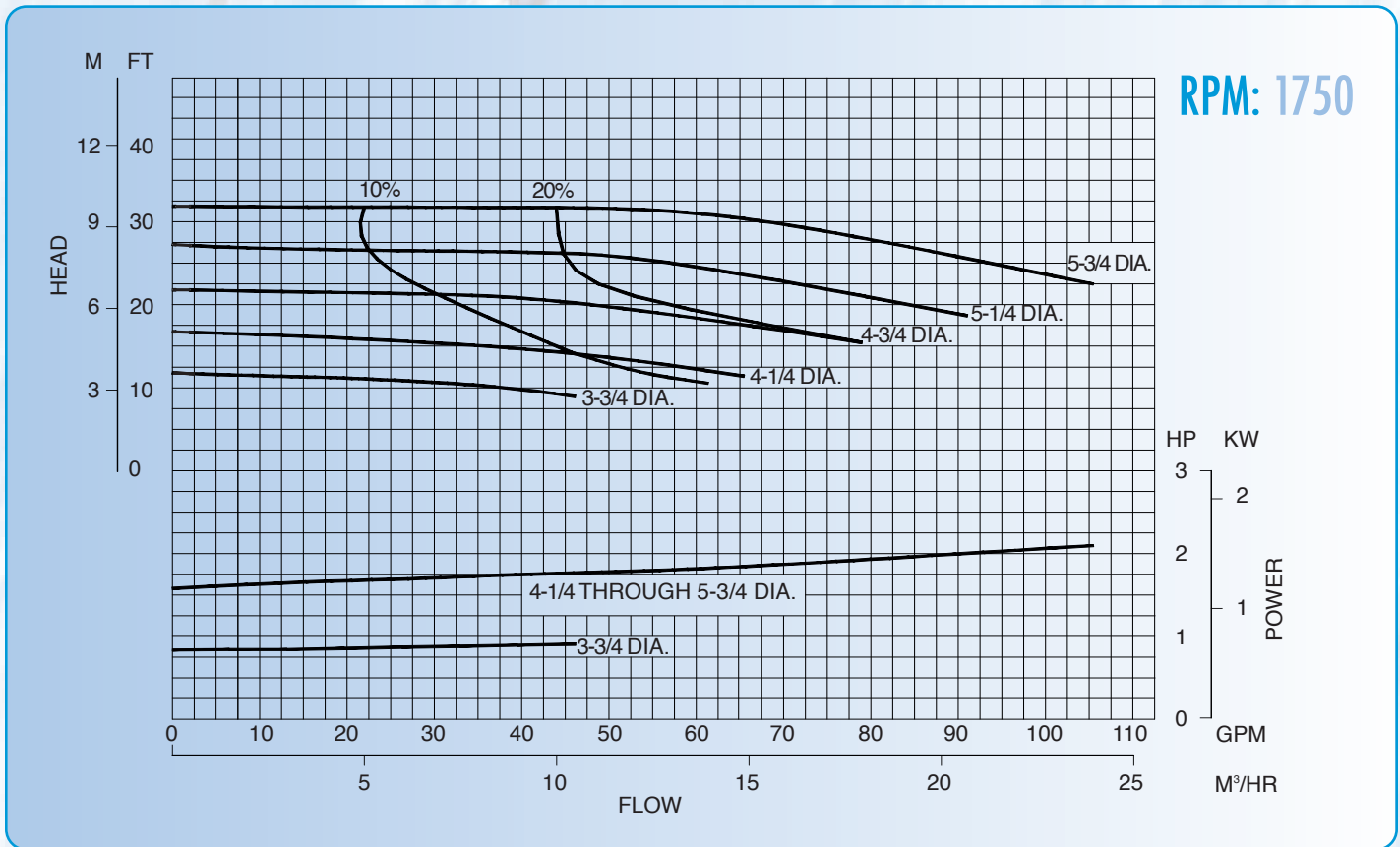
RPM: 1750



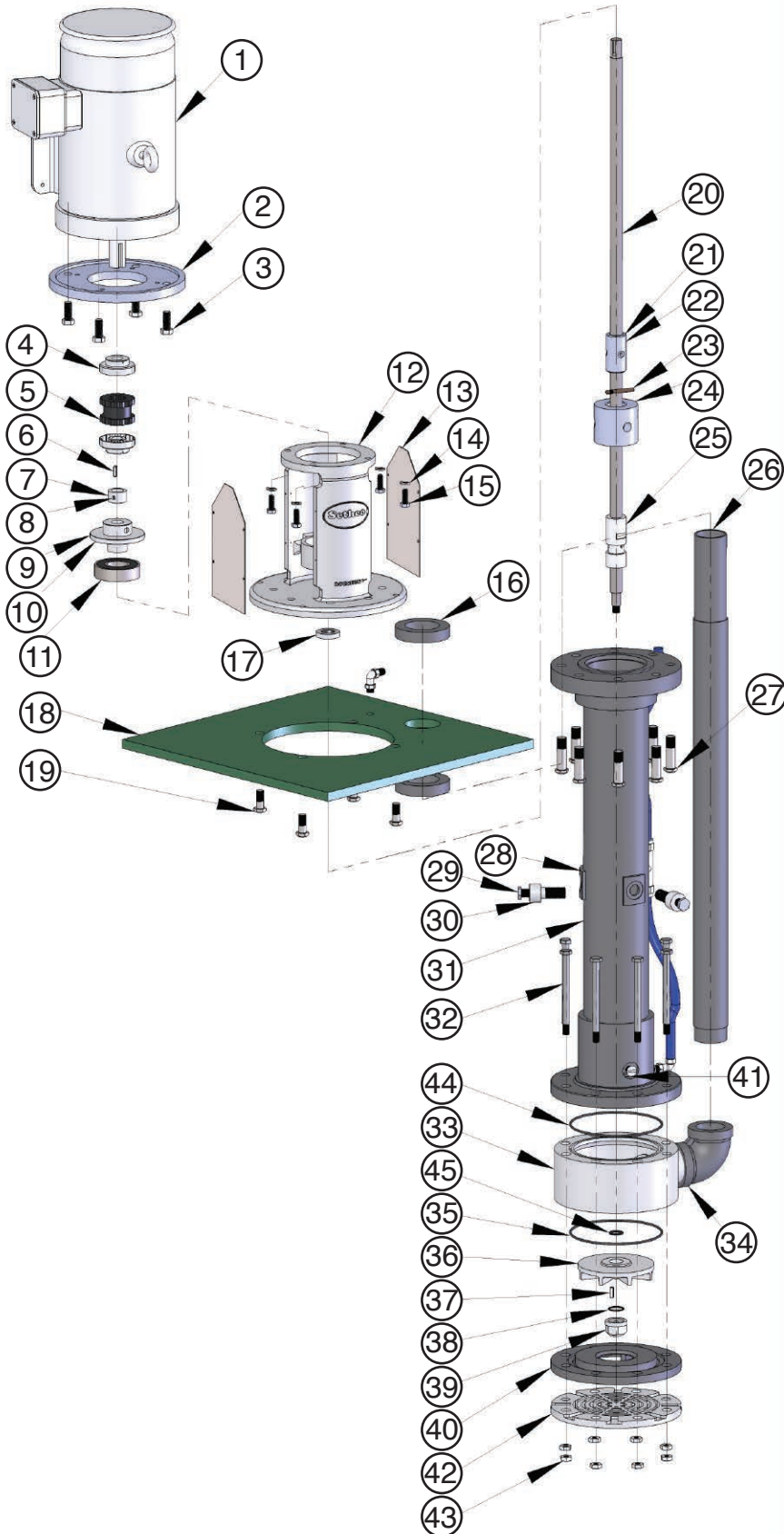
RPM: 3450



# MODEL UD/UV 100A PERFORMANCE CURVES



# UD/UV SERIES PUMP ASSEMBLY DRAWING AND PARTS LIST

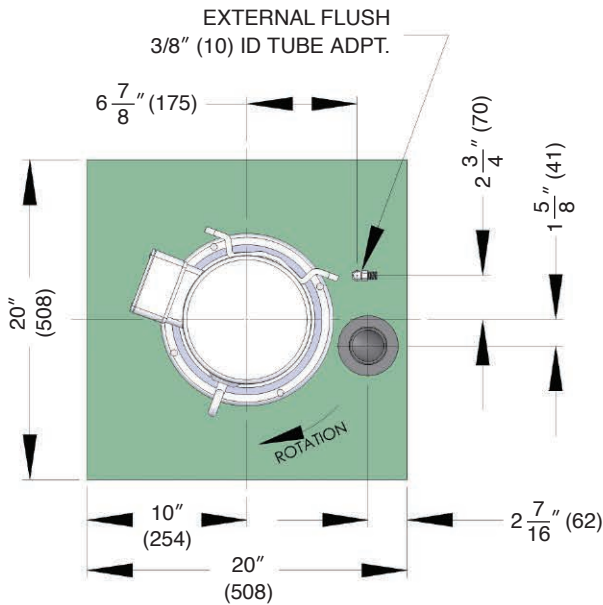


Item No.	Description	Material (UD/UV)
1	Motor	Varies
2	Motor Adapter	Cast Iron
3	Allen Head Cap Screw	Steel
4	Coupling	Varies
5	Spider	Rubber
6	Key	SS
7	Thrust Collar	SS
8	Setscrew (N.S.)	Steel
9	Bearing Cover	Aluminum
10	Setscrew (N.S.)	Steel
11	Ball Bearing	Steel
12	Pedestal	Aluminum
13	Coupling Guard	SS
14	Lock Washer	SS
15	Bolt	SS
16	Locknut	Polypropylene
17	Lip Seal	Nitrile
18	Mounting Plate	Phenolic
19	Bolt	SS
20	Shaft	Varies
21	Spacer	CPVC/CPVC
22	Bearing	PTFE /Carbon
23	Bearing Lock Pin	Hastelloy-C
24	Bearing Housing	PVC/PVC
25	Lower Bearing	PTFE /Carbon
26	Discharge Pipe	CPVC/PVC
27	Bolt	SS
28	Collar	CPVC/CPVC
29	Lockbolt	CPVC/PVC
30	Lockbolt w/ Tube	CPVC/PVC
31	Column	CPVC/PVC
32	Bolt	CPVC/PVC
33	Casing	PVC/PVC (1)
36	Impeller	CPVC/PVC
37	Key	SS
38	Gasket	Hypalon®
39	Impeller Nut	CPVC/PVC
40	Inlet Cover	CPVC/PVC (2)
41	Bolt	PVC/PVC
42	Strainer	CPVC/PVC
43	Nut	PVC/PVC
44	O-Ring	Viton®
45	Gasket	Hypalon®

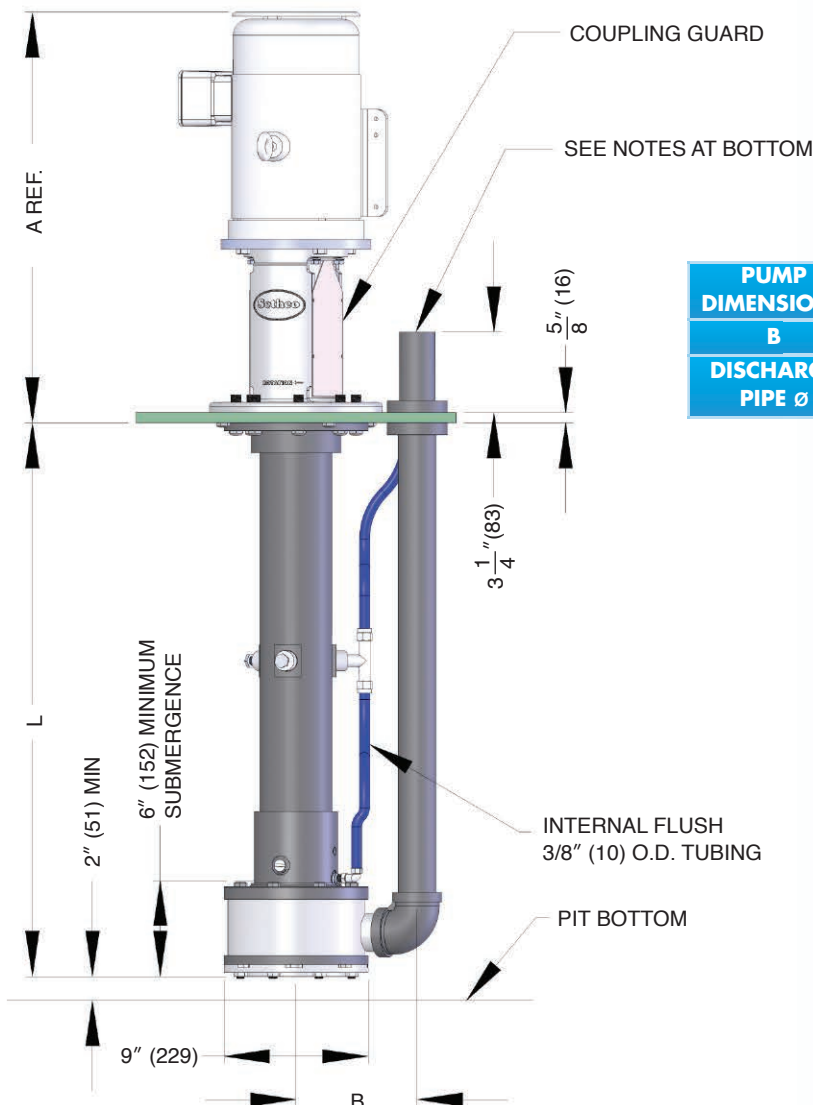
**Notes:**

- (1) UD/UV-60A CPVC Only
- (2) UD/UV-100A PVC Only

# UD/UV SERIES PUMP DIMENSIONS



L	Bearings
24" (610)	1
36" (914)	2
48" (1219)	2
60" (1524)	3
72" (1829)	3
84" (2134)	4
96" (2438)	5
108" (2743)	5
120" (3048)	5



Motor Frame	A
56C	23 5/8" (600)
143TC/145TC	23 5/8" (600)
182TC/184TC	25 5/8" (651)
213TC/215TC	28 3/8" (721)
254TC/256TC	31" (787)

PUMP DIMENSIONS	UD/UV-60A	UD/UV-80A	UD/UV-100A
B	7" (178)	8" (203)	8" (203)
DISCHARGE PIPE Ø	1 1/2" NPT	2" NPT	1 1/2" NPT

**Notes:**

- (1) "A" Dimensions vary with motor type and manufacturer.
- (2) Coverplate to be supported on four sides.
- (3) Motor shipped separately for field mounting by others.

\*Above drawing is not to be used for construction purposes.  
\*Dimensions shown are in inches and (millimeters).



UD Pumping Station with Control Panel

## PUMPING STATIONS

Contact Sethco for modular, thermoplastic pumping stations designed to transfer corrosive fluids. Each station is custom-built and is offered complete with a wide range of options, including the following: horizontal self-priming or vertical pumps, motors, control panels, a tank and cover, liquid level controls, valves, and all associated piping designed to fit your specific application. Our pumping stations are used for the reliable and efficient transfer of the most difficult and corrosive chemicals with the desired features and benefits of modular flexibility, corrosion resistant materials, easy installation, and sturdy construction. As a total solution provider, each pumping station is designed by our engineering staff and fluid handling experts to suit any specific requirement for each individual application.

## ABOUT MET-PRO GLOBAL PUMP SOLUTIONS

Met-Pro Global Pump Solutions, which combines the resources of the Company's internationally recognized Dean Pump®, Fybroc® and Sethco® brands, is a leading niche-oriented global provider of solutions and products for the pumping of corrosive, abrasive and high temperature liquids. Its broad range of high quality centrifugal pumps provide excellent performance for tough applications including pumping of acids, brines, caustics, bleaches, seawater, high temperature liquids and a wide variety of waste liquids for a broad range of applications including the chemical, petrochemical, metal finishing, wastewater treatment, desalination and aquarium/aquaculture markets.

## ABOUT MET-PRO

Met-Pro Corporation is a global provider of solutions and products for product recovery, pollution control and fluid handling applications. The Company's products include filtration and purification equipment for air, water and harsh, corrosive applications; fluid handling equipment for water, corrosive, abrasive, and high temperature liquids; and proprietary water treatment chemicals. For more information, visit [www.met-pro.com](http://www.met-pro.com).



A Met-Pro Fluid Handling Technologies Business  
Combining the Resources of **Dean Pump**, **Fybroc** & **Sethco**

800 Emlen Way, Telford, PA 18969  
P: 800.645.0500 • F: 215.799.0920  
[info@mp-gps.com](mailto:info@mp-gps.com) • [www.mp-gps.com](http://www.mp-gps.com)

© 2012 MET-PRO CORPORATION  
SETHCO® IS A REGISTERED TRADEMARK OF MET-PRO CORPORATION 812

