



# Series: PF4SCC, CD, CE, CF

**Submersible Cutter Pumps  
4" Discharge, 4.2 to 29.9HP**



<b>DISCHARGE</b>	4" 125lb Flange, Horizontal
<b>LIQUID TEMPERATURE</b>	104°F Continuous
<b>MOTOR HOUSING</b>	Cast Iron, Class 30
<b>VOLUTE</b>	Cast Iron, Class 30
<b>IMPELLER</b>	2 Port, enclosed Cast Iron
<b>CUTTER CONE</b>	Integral with Impeller Hardened Steel 52/53 Rockwell "C"
<b>CUTTER BLADE</b>	Hardened Steel 45/47 Rockwell "C"
<b>SHAFT</b>	416 Stainless Steel
<b>SEAL PLATE</b>	Cast Iron, Class 30
<b>SQUARE RINGS</b>	Buna-N
<b>HARDWARE</b>	300 Series Stainless Steel
<b>SEAL</b>	Tandem Mechanical, Oil Filled Reservoir Upper: Carbon/Stainless/Buna-N Lower: Tungsten Carbide/Tungsten Carbide/Buna-N
<b>SEAL PLATE</b>	Cast Iron
<b>POWER CORD</b>	30 ft cord, pressure grommet
<b>MOTOR</b>	Nema B - Airfilled Class F, Dual Voltage 230/460 Includes overload protection
<b>UPPER BEARING</b>	Single Row, Ball, Grease Lubricated
<b>LOWER BEARING</b>	Double Row, Ball, Grease Lubricated
<b>MOISTURE SENSOR</b>	N/O, Requires relay in control panel
<b>TEMPERATURE SENSOR</b>	N/C, Requires relay in control panel
<b>OPTIONAL EQUIPMENT</b>	Seal Materials, Additional Cable, 316SS Cast Iron Stainless Steel Construction, Explosion proof motor design, Larger sizes upon request

**Series: PF4SCC**  
**4.2/4.8HP, 3PH, 230/460V**  
**1150/1750 RPM, 60 Hz**

**Series: PF4SCD**  
**4.2/4.8/7.1HP, 3PH, 230/460V**  
**1150/1750 RPM, 60 Hz**

**Series: PF4SCE**  
**4.2/12.9/17.7HP, 3PH, 230/460V**  
**1150/1750 RPM, 60 Hz**

**Series: PF4SCF**  
**4.2/8.9/17.7/29.9HP, 3PH, 230/460V**  
**1150/1750 RPM, 60 Hz**

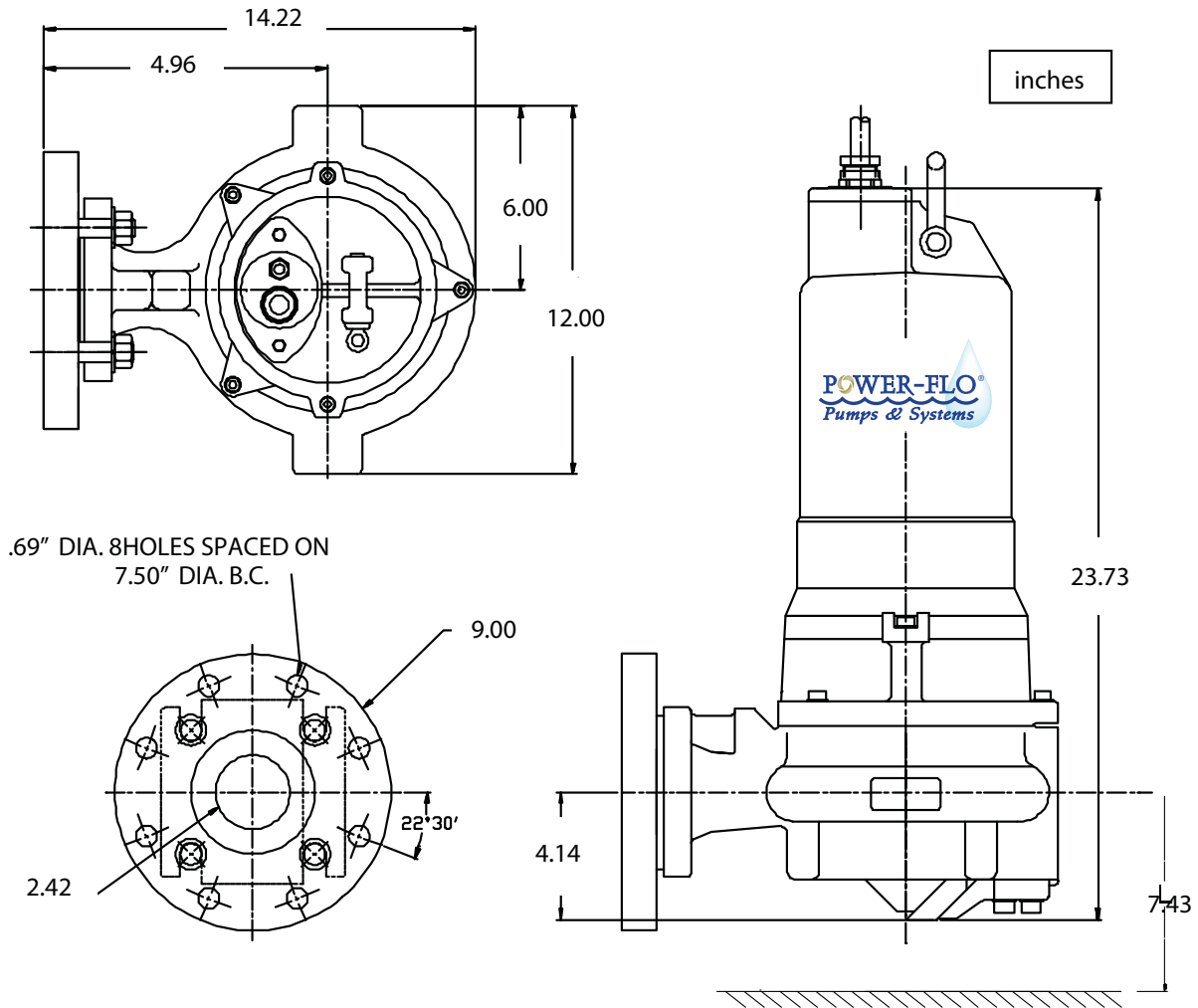
**DESCRIPTION:**

Severe duty submersible cutter pump designed for un-screened stringy, fibrous raw sewage applications.

<b>MAX FLOW</b>	<b>4500 GPM</b>
<b>MAX HEAD</b>	<b>295 TDH</b>

# Series: PF4SCC

Submersible Cutter Pumps  
4" Discharge, 4.2 & 4.8HP



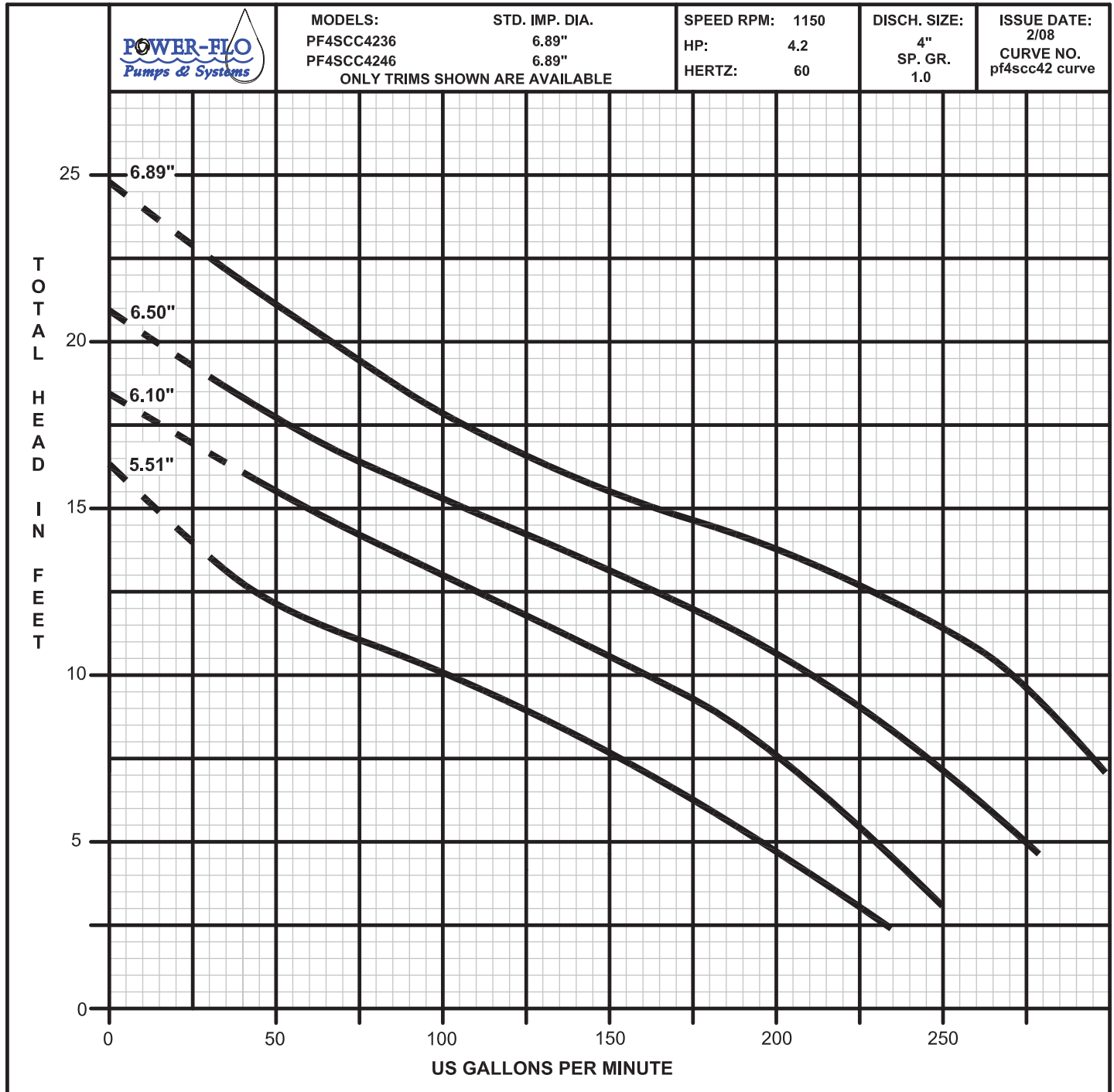
MODEL	HP	VOLT/PH	RPM	FULL LOAD AMPS	LOCKED ROTOR AMPS	NEMA START CODE	CORD SIZE	CORD TYPE	CORD O.D.
PF4SCC4236	4.2	230/3	1150	12.8	63	G	14/4	SO	0.570
PF4SCC4246	4.2	460/3	1150	6.4	31.5	G	14/4	SO	0.570
PF4SCC4834	4.8	230/3	1750	14.4	80	H	14/4	SO	0.570
PF4SCC4844	4.8	460/3	1750	7.2	40	H	14/4	SO	0.570

Control cable sizes for all models is 14/3, SO, 0.53 O.D.  
NOTE: The use of a 4" Break Away Fitting is required with these pumps.  
NOTE: A relay is required for use with Moisture Sensor.



# Series: PF4SCC

**Submersible Cutter Pumps  
4" Discharge, 4.2HP, 1150 RPM**



# Series: PF4SCC

Submersible Cutter Pumps  
4" Discharge, 4.8HP, 1750 RPM

